

NetApp E-Series Battery Finder

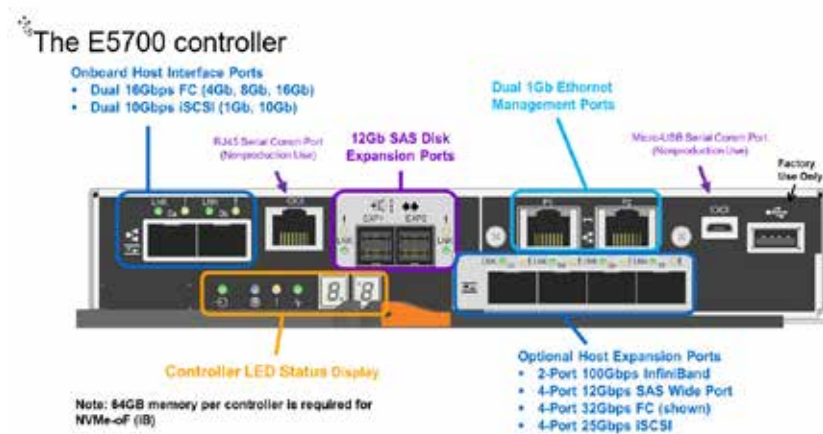
It can be confusing to determine what controller that your system uses, and although there are ways to determine this through the GUI, and we can walk you through this process, if needed, we have created the following cheat-sheet as a tool that we hope will permit you to determine the battery required, based on visual inspection only.

Below you will see a listed model number for the controller, then an image that is similar to that model (Note the location of the Ethernet ports), then a picture of the required battery. The product ID's that batteries may have been purchased using, can vary, based on when and where the system was purchased. For simplicity, we will list only one NetApp product marketing ID per battery type.

Controller Model Number Mid Range Systems

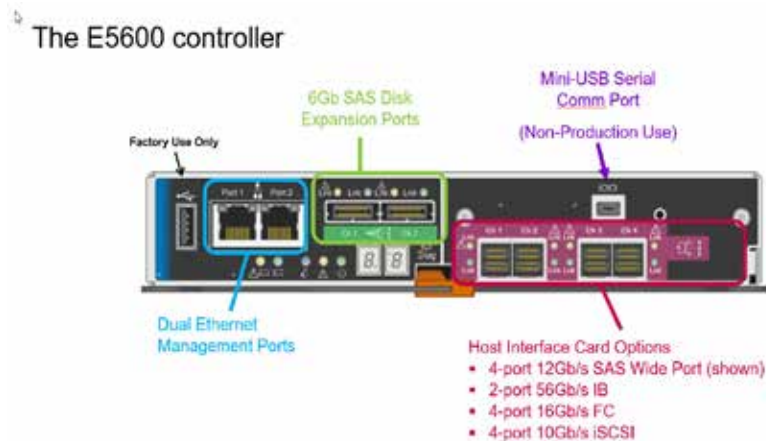
E5700

A100203



E5600

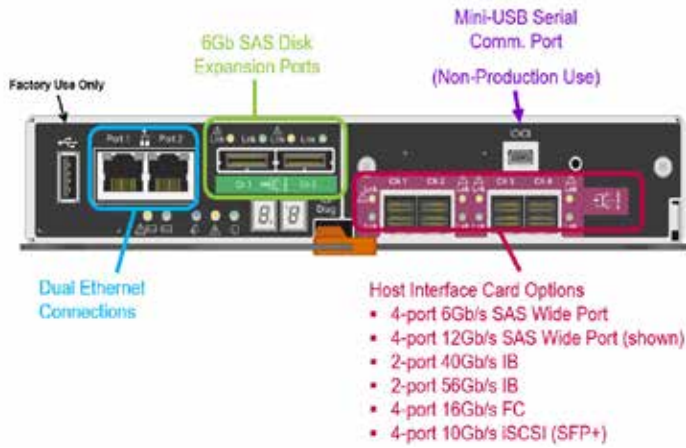
48619-00



E5500

48619-00

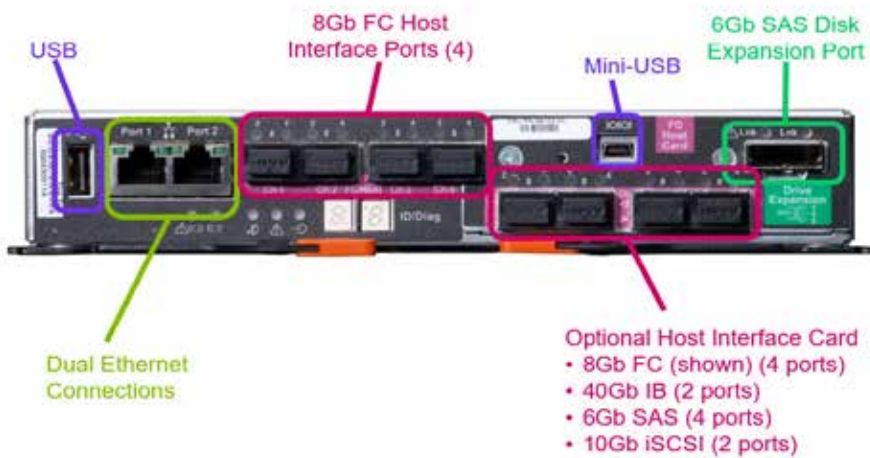
The E5500 controller



E5400

48619-00

The E5400 Controller

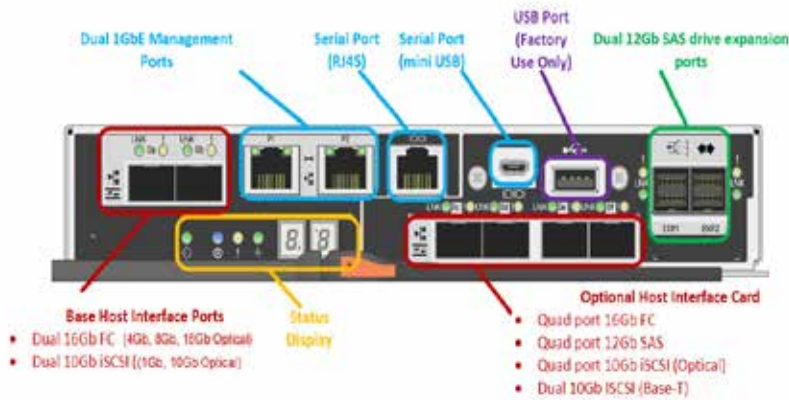


Entry Level Systems

E2800

A100203

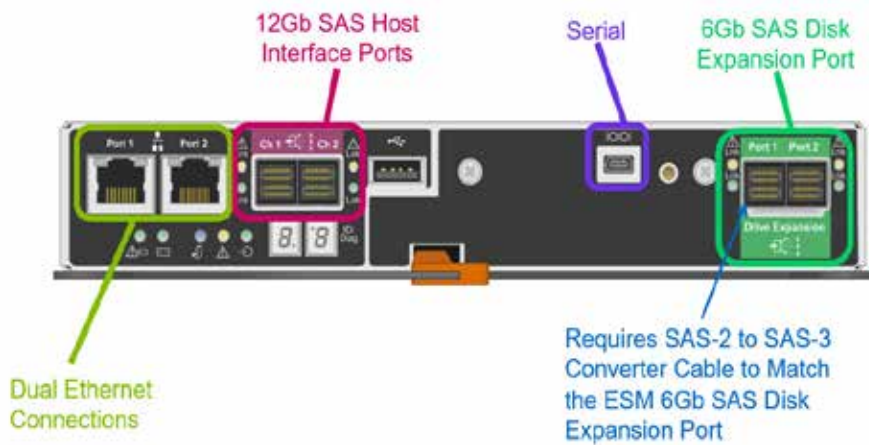
The E2800 controller: optical onboard host interface ports



E2700

46381-00

E2700 Controller



E2600

46381-00

The E2600 Controller



